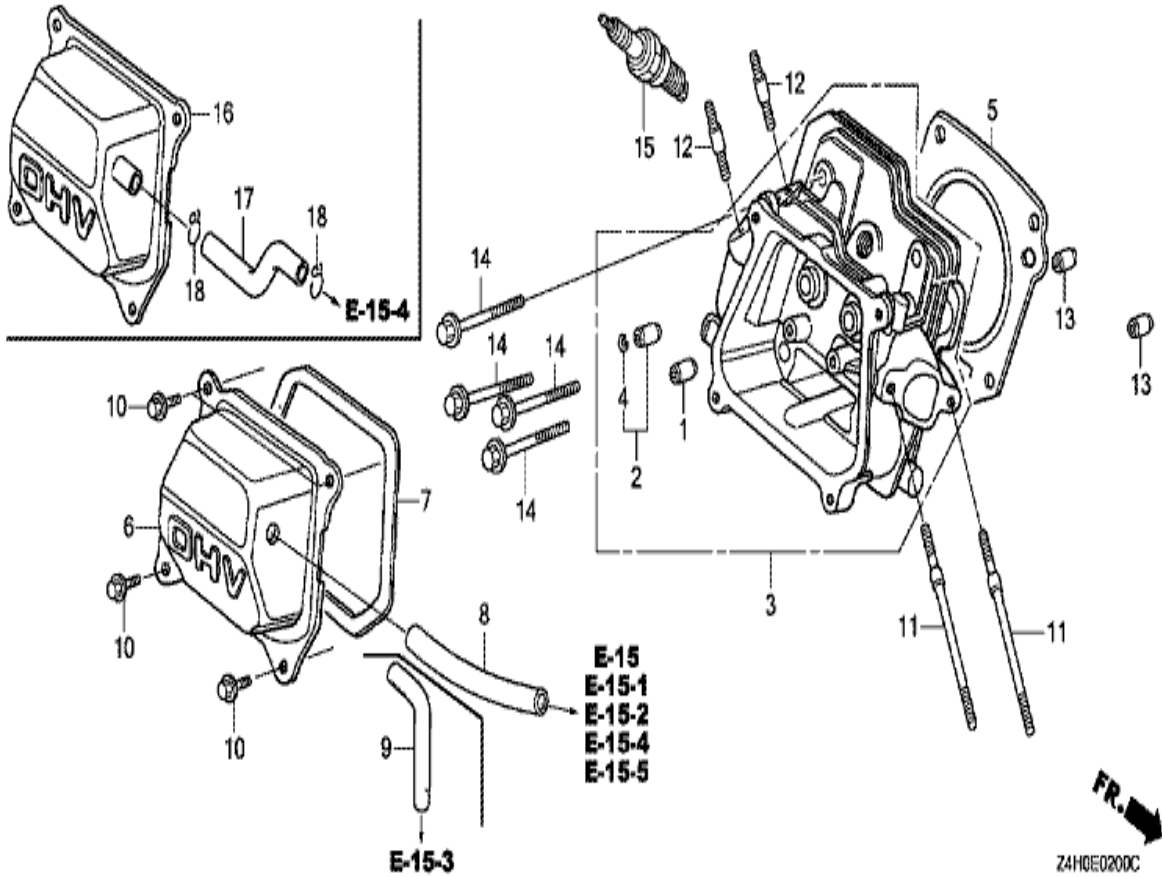


GX120RT2

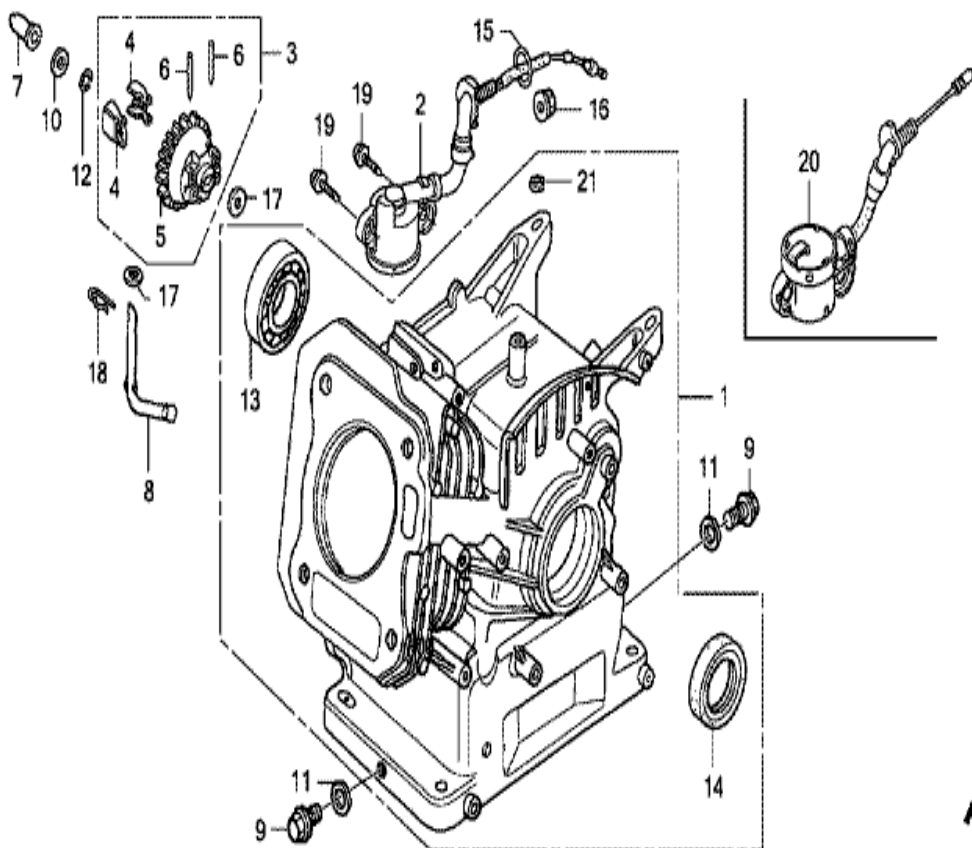
E-2 CYLINDER HEAD



Refnr	Part Number	Description	from	to	Unit Qty	Order Qty	Repair Qty
1	12204-ZE1-306	GUIDE, IN. VALVE (OS)			001	0	0
2	12205-ZE1-315	GUIDE, EX. VALVE (OS)			001	0	0
3	12210-ZH7-415	HEAD COMP., CYLINDER			001	0	0
4	12216-ZE5-300	CLIP, VALVE GUIDE			001	0	0
5	12251-Z0S-801	GASKET, CYLINDER HEAD (THAT LEAKLESS)			001	0	0
6	12310-Z4M-010	COVER COMP., HEAD			001	0	0
7	12391-ZE1-000	PACKING, HEAD COVER			001	0	0
8	15721-ZH8-000	TUBE, BREATHER			001	0	0
10	90013-883-000	BOLT, FLANGE, 6X12 (CT200)			004	0	0
11	90043-ZE1-020	BOLT, STUD, 6X112			002	0	0
12	90047-ZE1-000	BOLT, STUD, 8X32			002	0	0
13	94301-10160	DOWEL PIN, 10X16			002	0	0
14	95701-08055-00	BOLT, FLANGE, 8X55			004	0	0
15	98079-54846	PLUG, SPARK (BPR4ES) (NGK)			001	0	0
15	98079-54855	PLUG, SPARK (W14EPR-U) (DENSO)			001	0	0

GX120RT2

E-3 CYLINDER BARREL

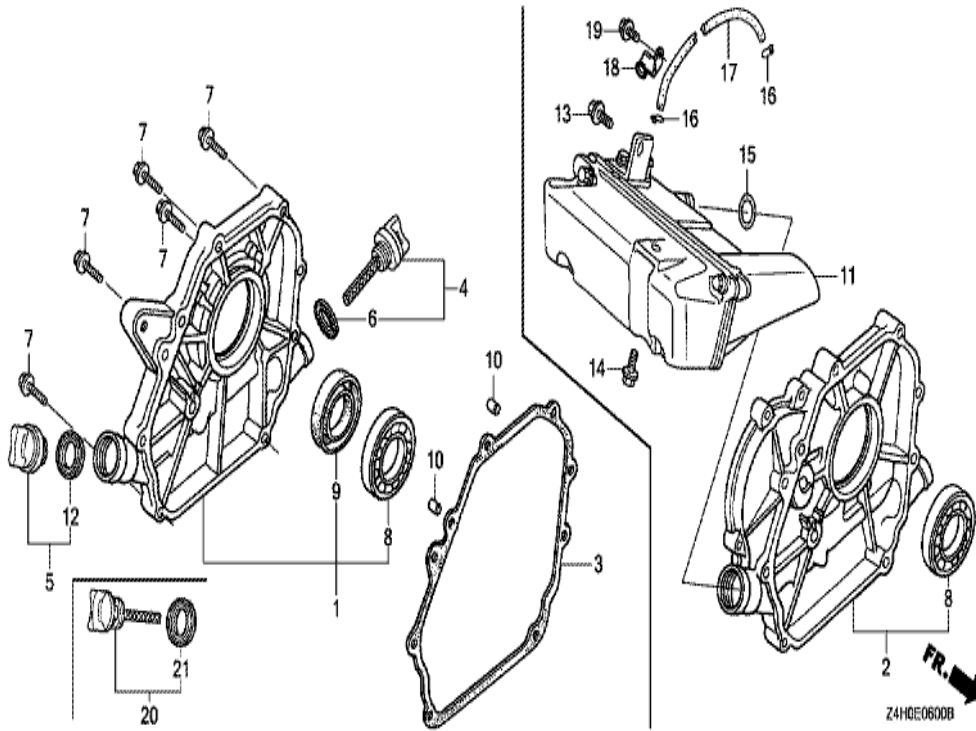


Z4H0E0300B

Refnr	Part Number	Description	from	to	Unit Qty	Order Qty	Repair Qty
1	12000-Z4H-405	BARREL ASSY., CYLINDER			001	0	0
3	16510-ZE1-000	GOVERNOR ASSY.			001	0	0
4	16511-ZE1-000	WEIGHT, GOVERNOR			002	0	0
5	16512-ZE1-000	HOLDER, GOVERNOR WEIGHT			001	0	0
6	16513-ZE1-000	PIN, GOVERNOR WEIGHT			002	0	0
7	16531-ZE1-000	SLIDER, GOVERNOR			001	0	0
8	16541-ZE1-000	SHAFT, GOVERNOR ARM			001	0	0
9	90131-ZE1-000	BOLT, DRAIN PLUG			002	0	0
10	90451-ZE1-000	WASHER, THRUST, 6MM			001	0	0
11	90601-ZE1-000	WASHER, DRAIN PLUG, 10.2MM			002	0	0
12	90602-ZE1-000	CLIP, GOVERNOR HOLDER			001	0	0
13	91001-878-003	BEARING, RADIAL BALL,			001	0	0
14	91202-ZE6-013	OIL SEAL, 22X35X6			001	0	0
17	94101-06800	WASHER, PLAIN, 6MM			002	0	0
18	94251-08000	PIN, LOCK, 8MM			001	0	0
21	91231-891-003	OIL SEAL, 6X11X4 (ARAI)			001	0	0

GX120RT2

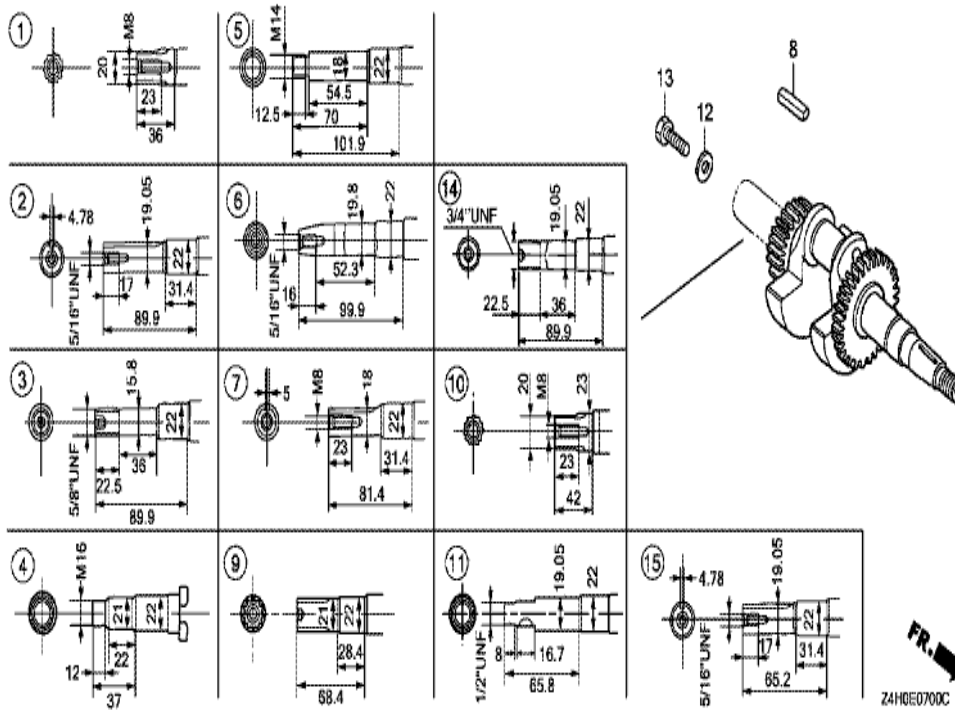
E-6 CRANKCASE COVER



Refnr	Part Number	Description	from	to	Unit Qty	Order Qty	Repair Qty
2	11300-ZK7-V00	COVER ASSY., CRANKCASE			001	0	0
3	11381-ZK7-V00	PACKING, CASE COVER			001	0	0
4	15600-Z0T-810	CAP ASSY., OIL FILLER (GAUGE) (GRAY)			001	0	0
6	15625-Z0T-800	PACKING, OIL FILLER CAP			001	0	0
7	90015-883-000	BOLT, FLANGE, 6X28 (CT200)			007	0	0
8	91001-878-003	BEARING, RADIAL BALL,			001	0	0
10	94303-08140	DOWEL PIN, 8X14			002	0	0
11	15500-ZK7-V00	TANK ASSY., OIL			001	0	0
13	90014-952-000	BOLT, FLANGE, 6X14 (CT200)			001	0	0
14	90029-888-000	BOLT, FLANGE, 6X16 (CT200)			001	0	0
15	91304-Z4H-000	O-RING			001	0	0
16	95002-02070	CLIP, TUBE (B7)			002	0	0
17	95005-35150-10	TUBE, 3.5X150 (95005-35001-10M)			001	0	0
18	16106-KW7-900	CLIP B, TUBE			001	0	0
19	90013-883-000	BOLT, FLANGE, 6X12 (CT200)			001	0	0

GX120RT2

E-7 CRANKSHAFT

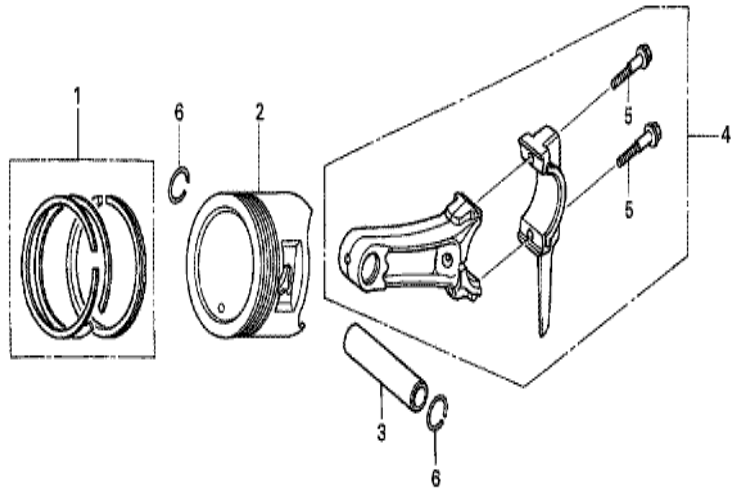


Z4HGE0700C

Refnr	Part Number	Description	from	to	Unit Qty	Order Qty	Repair Qty
10	13310-Z4H-V00	CRANKSHAFT COMP.			001	0	0

GX120RT2

E-8 PISTON



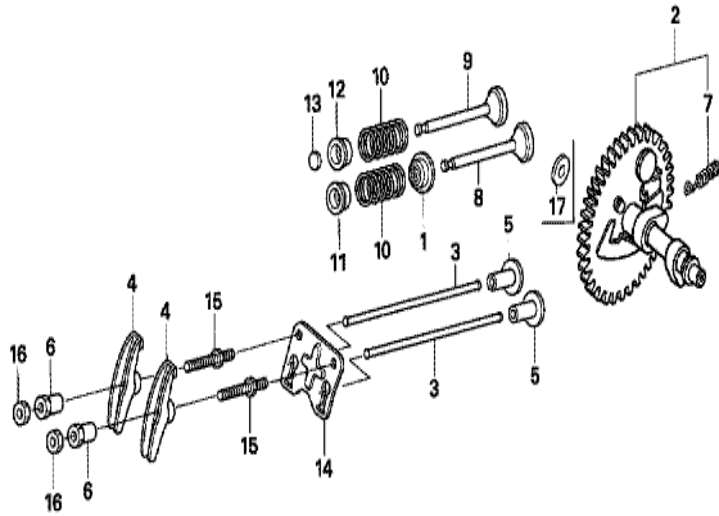
Z4F0-E0800



Refnr	Part Number	Description	from	to	Unit Qty	Order Qty	Repair Qty
1	13010-Z4F-004	RING SET, PISTON (STD.) (TEIKOKU)			001	0	0
1	13010-Z4H-003	RING SET, PISTON (STD.) (RIKEN)			001	0	0
1	13011-Z4F-004	RING SET, PISTON (0.25) (TEIKOKU)			(1)	0	0
1	13011-Z4H-003	RING SET, PISTON (0.25) (RIKEN)			(1)	0	0
1	13012-Z4F-004	RING SET, PISTON (0.50) (TEIKOKU)			(1)	0	0
1	13012-Z4H-003	RING SET, PISTON (0.50) (RIKEN)			(1)	0	0
1	13013-Z4F-004	RING SET, PISTON (0.75) (TEIKOKU)			(1)	0	0
1	13013-Z4H-003	RING SET, PISTON (0.75) (RIKEN)			(1)	0	0
2	13101-ZH7-020	PISTON (STD.)			001	0	0
2	13102-ZH7-020	PISTON (0.25)			(1)	0	0
2	13103-ZH7-020	PISTON (0.50)			(1)	0	0
2	13104-ZH7-020	PISTON (0.75)			(1)	0	0
3	13111-ZE0-000	PIN, PISTON			001	0	0
4	13200-Z0S-305	ROD ASSY., CONNECTING (UNDER SIZE)			(1)	0	0
4	13200-Z0S-800	ROD ASSY., CONNECTING			001	0	0
5	90001-ZE1-000	BOLT, CONNECTING ROD			002	0	0
6	90551-ZE0-000	CLIP, PISTON PIN, 13MM			002	0	0

GX120RT2

E-9 CAMSHAFT

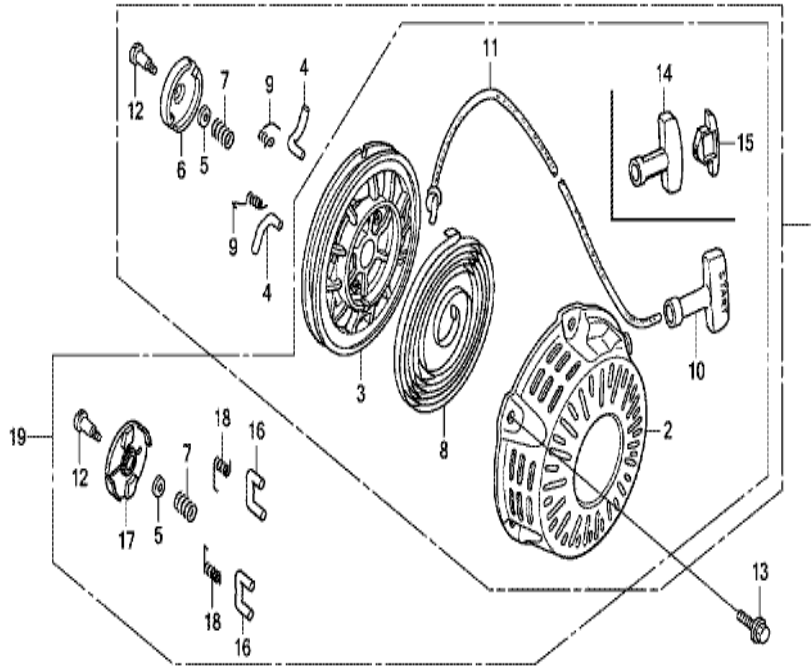


Z4H0-E0900A

Refnr	Part Number	Description	from	to	Unit Qty	Order Qty	Repair Qty
1	12209-Z4M-801	SEAL, VALVE STEM			001	0	0
2	14100-ZH7-B20	CAMSHAFT ASSY.			001	0	0
3	14410-ZE0-010	ROD, PUSH			002	0	0
4	14431-ZE1-000	ARM, VALVE ROCKER			002	0	0
5	14441-ZE1-010	LIFTER, VALVE			002	0	0
6	14451-Z4M-000	PIVOT, ROCKER ARM	1288401		002	0	0
6	14451-ZE1-013	PIVOT, ROCKER ARM		1288400	002	0	0
7	14568-ZE1-000	SPRING, WEIGHT RETURN			001	0	0
8	14711-Z4H-000	VALVE, IN.			001	0	0
9	14721-Z4H-000	VALVE, EX.			001	0	0
10	14751-ZF1-000	SPRING, VALVE			002	0	0
11	14771-Z0T-900	RETAINER, VALVE SPRING	1222635		001	0	0
11	14771-ZE1-000	RETAINER, IN. VALVE SPRING		1222634	001	0	0
12	14771-Z0T-900	RETAINER, VALVE SPRING (EXHAUST SIDE)	1222635		001	0	0
12	14771-ZE1-000	RETAINER, IN. VALVE SPRING (EXHAUST SIDE)		1222634	001	0	0
14	14791-ZE0-010	PLATE, PUSH ROD GUIDE			001	0	0
15	90012-ZE0-010	BOLT, PIVOT, 8MM			002	0	0
16	90206-ZE1-000	NUT, PIVOT ADJUSTING			002	0	0

GX120RT2

E-11 RECOIL STARTER

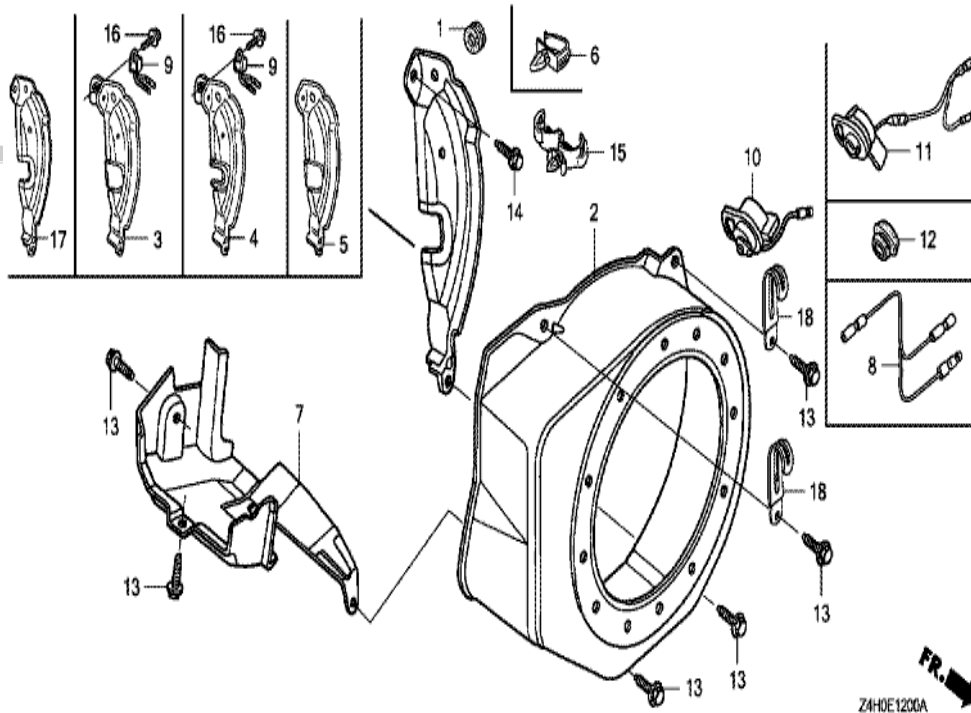


FR.
Z4H0E1100B

Refnr	Part Number	Description	from	to	Unit Qty	Order Qty	Repair Qty
1	28400-Z4M-003ZA	STARTER ASSY., RECOIL *R280* (R280 POWER RED)		1448117	001	0	0
1	28400-Z4M-003ZC	STARTER ASSY., RECOIL *NH1* (NH1 BLACK)		1448117	001	0	0
1	28400-Z4M-305ZB	STARTER ASSY., RECOIL (COO) (FOR U.S.A.) *R280* (R280 POWER RED)		1448117	001	0	0
1	28400-Z4M-305ZD	STARTER ASSY., RECOIL (COO) (FOR U.S.A.) *NH1* (NH1 BLACK)		1448117	001	0	0
2	28410-Z4M-003ZB	CASE COMP., RECOIL STARTER *R280* (R280 POWER RED)			001	0	0
2	28410-Z4M-003ZD	CASE COMP., RECOIL STARTER *NH1* (NH1 BLACK)			001	0	0
3	28421-Z0T-003	REEL, RECOIL STARTER		1448117	001	0	0
3	28421-Z1T-702	REEL, RECOIL STARTER (BLACK)	1448118		001	0	0
4	28422-ZH8-801	RATCHET, STARTER		1448117	002	0	0
5	28431-ZH8-801	PLATE, FRICTION			001	0	0
6	28433-ZH8-801	GUIDE, RATCHET		1448117	001	0	0
7	28441-ZH8-801	SPRING, FRICTION			001	0	0
8	28442-ZH8-003	SPRING, RECOIL STARTER			001	0	0
9	28443-ZH8-801	SPRING, RETURN		1448117	002	0	0
11	28462-ZH8-003	ROPE, RECOIL STARTER			001	0	0
12	90003-ZH8-801	SCREW, SETTING			001	0	0
13	90008-ZE2-003	BOLT, FLANGE, 6X10		1245538	003	0	0
13	95701-06008-00	BOLT, FLANGE, 6X8	1245539		003	0	0
14	28461-Z4M-003	KNOB, RECOIL STARTER			001	0	0
14	28461-Z4M-305	KNOB, RECOIL STARTER (COO) (FOR U.S.A.)			001	0	0
15	28463-Z4M-003	KNOB, REINFORCEMENT			001	0	0
16	28422-Z1T-701	RATCHET, STARTER	1448118		002	0	0
17	28433-Z1T-702	GUIDE, RATCHET	1448118		001	0	0
18	28443-Z1T-701	SPRING, RETURN	1448118		002	0	0
19	28400-Z4M-306ZB	STARTER ASSY., RECOIL (COO) (FOR U.S.A.) *R280* (R280 POWER RED)	1448118		001	0	0
19	28400-Z4M-306ZC	STARTER ASSY., RECOIL (COO) (FOR U.S.A.) *NH1* (NH1 BLACK)	1448118		001	0	0
19	28400-Z4M-801ZB	STARTER ASSY., RECOIL *R280* (R280 POWER RED)	1448118		001	0	0
19	28400-Z4M-801ZD	STARTER ASSY., RECOIL *NH1* (NH1 BLACK)	1448118		001	0	0

GX120RT2

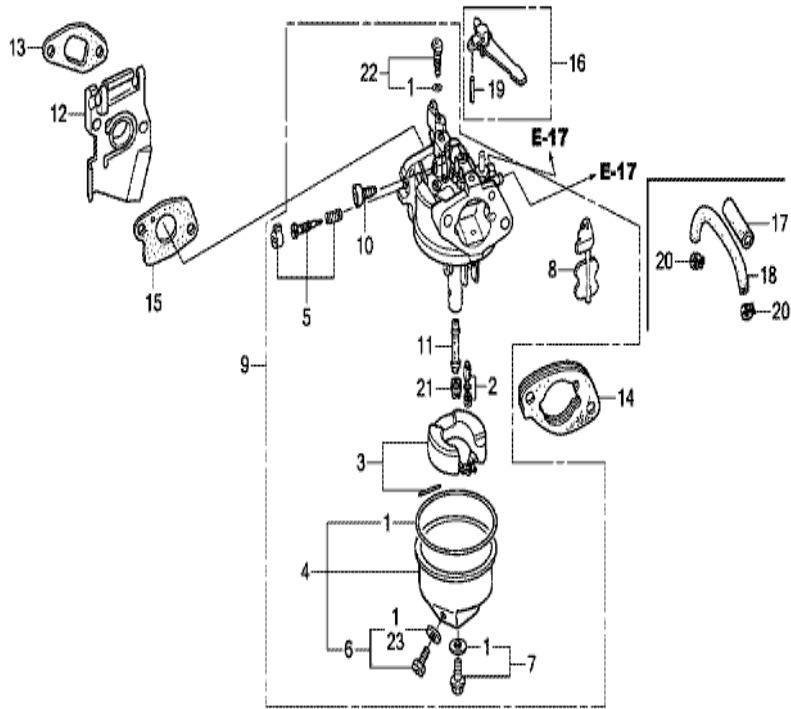
E-12 FAN COVER



Refnr	Part Number	Description	from	to	Unit Qty	Order Qty	Repair Qty
1	11347-371-300	GROMMET, ADJUSTING COVER			001	0	0
2	19610-ZK7-V00ZC	COVER COMP., FAN *NH1 * (NH1 BLACK)			001	0	0
2	19610-ZK7-V00ZD	COVER COMP., FAN *R280 * (R280 POWER RED)			001	0	0
5	19612-ZK7-V00	PLATE, SIDE			001	0	0
10	35120-Z0D-V81	SWITCH ASSY., ENGINE STOP	1339945		001	0	0
10	35120-Z0T-801	SWITCH ASSY., ENGINE STOP		1339944	001	0	0
13	90013-883-000	BOLT, FLANGE, 6X12 (CT200)			004	0	0
14	90022-888-010	BOLT, FLANGE, 6X20 (CT200)			001	0	0

GX120RT2

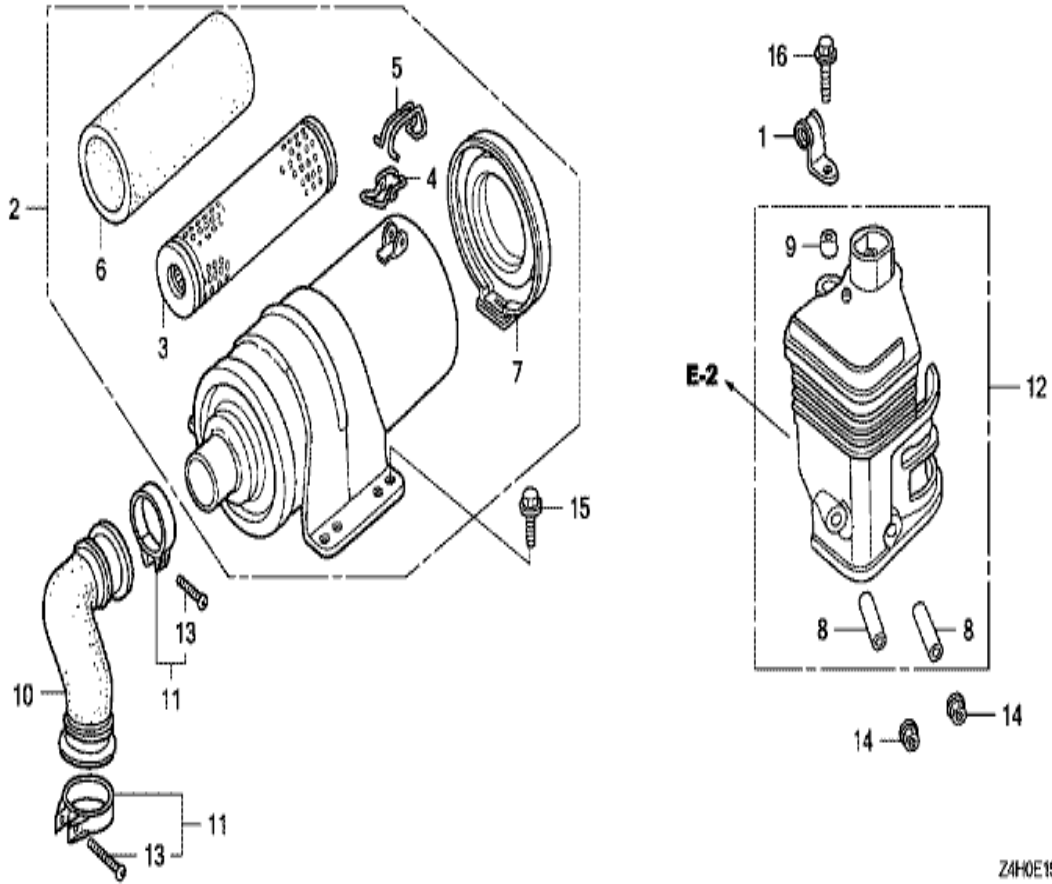
E-14-3 CARBURETOR (4)



Refnr	Part Number	Description	from	to	Unit Qty	Order Qty	Repair Qty
1	16010-ZB1-015	GASKET SET			001	0	0
2	16011-ZE0-005	VALVE SET, FLOAT			001	0	0
3	16013-ZOS-B01	FLOAT SET			001	0	0
4	16015-Z4H-U51	CHAMBER, FLOAT			001	0	0
5	16016-ZH7-W01	SCREW SET, PILOT			001	0	0
6	16024-Z5T-901	SCREW SET, DRAIN			001	0	0
7	16028-Z5T-901	SCREW SET			001	0	0
8	16044-ZE0-005	CHOKE SET			001	0	0
9	16100-Z4H-U51	CARBURETOR ASSY. (BE62J A)		1170536	001	0	0
9	16100-ZCG-811	CARBURETOR ASSY. (BE62L A)	1170537		001	0	0
10	16124-ZE0-005	SCREW, THROTTLE STOP			001	0	0
11	16166-ZH7-A50	NOZZLE, MAIN			001	0	0
12	16211-ZE0-000	INSULATOR, CARBURETOR			001	0	0
13	16212-ZH7-800	PACKING, INSULATOR			001	0	0
14	16220-ZE1-020	SPACER COMP., CARBURETOR			001	0	0
15	16221-ZH8-801	PACKING, CARBURETOR			001	0	0
16	16610-ZE1-000	LEVER COMP., CHOKE (STD.)			001	0	0
19	94305-20122	PIN, SPRING, 2X12			001	0	0
21	99101-ZH8-0580	JET, MAIN, #58			(1)	0	0
21	99101-ZH8-0600	JET, MAIN, #60			(1)	0	0
21	99101-ZH8-0620	JET, MAIN, #62			001	0	0
22	99204-ZE003-50	JET SET, PILOT, #35			001	0	0

GX120RT2

E-15-5 AIR CLEANER (6)

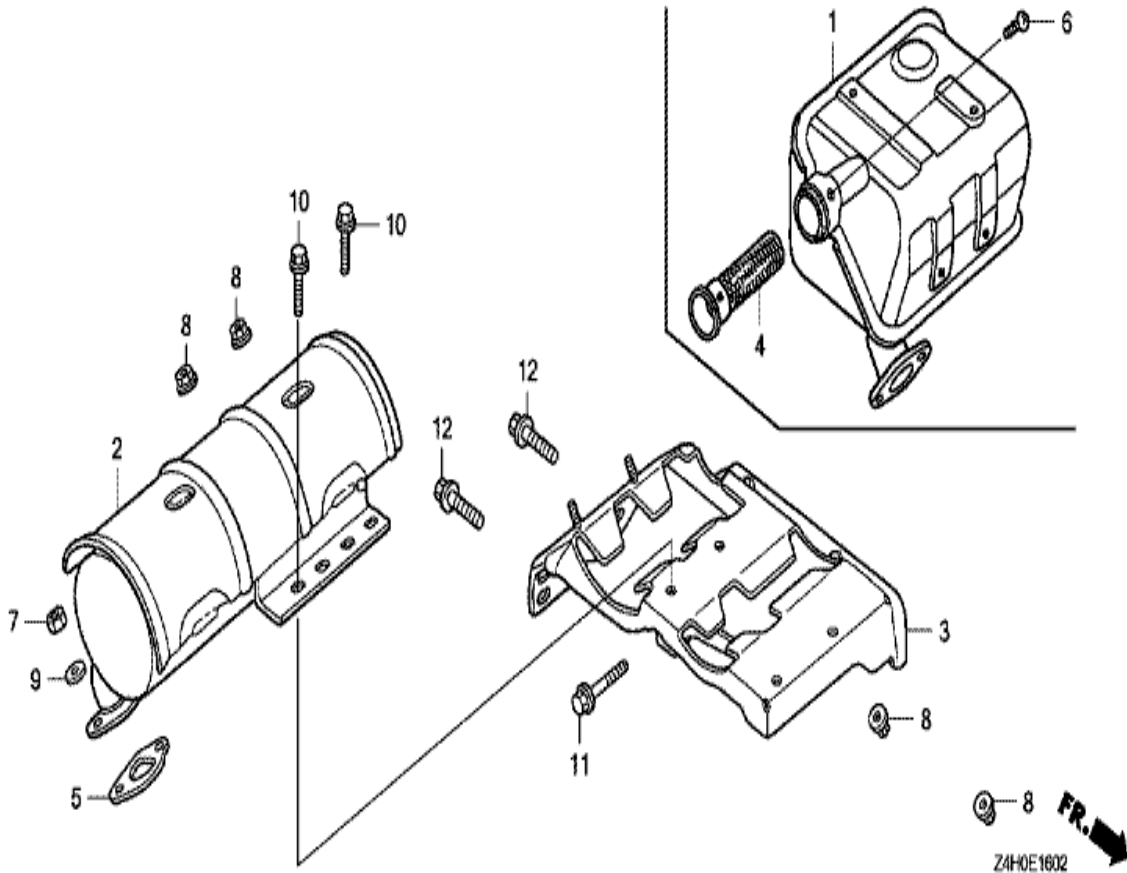


Z4HOE1505

Refnr	Part Number	Description	from	to	Unit Qty	Order Qty	Repair Qty
8	17238-ZE7-010	COLLAR, AIR CLEANER			002	0	0
9	17239-ZE1-000	COLLAR B, AIR CLEANER			001	0	0
12	17410-ZE1-P31	ELBOW COMP., AIR CLEANER			001	0	0
14	94050-06000	NUT, FLANGE, 6MM			002	0	0
16	95701-06020-00	BOLT, FLANGE, 6X20			001	0	0

GX120RT2

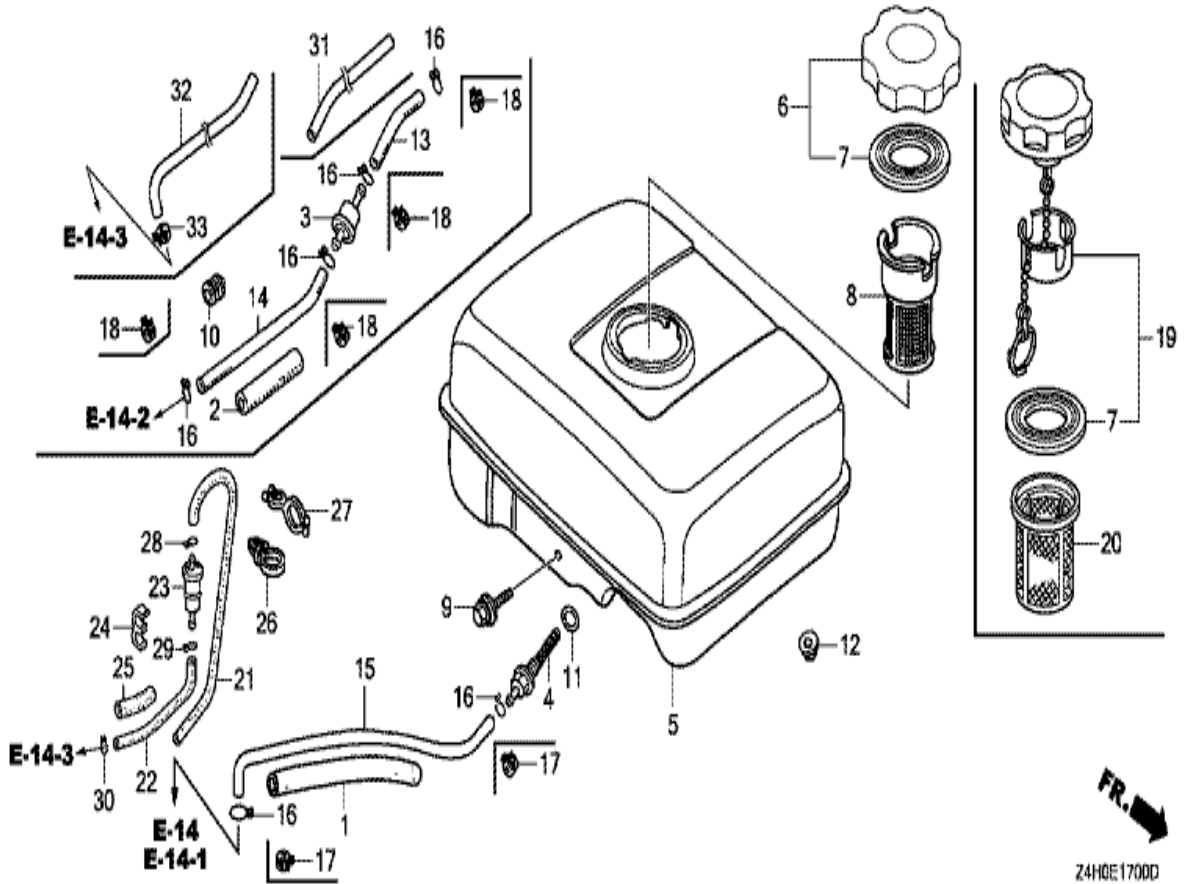
E-16-2 MUFFLER (3)



Refnr	Part Number	Description	from	to	Unit Qty	Order Qty	Repair Qty
1	18310-Z4M-811	MUFFLER COMP. (ARRESTER)			(1)	0	0
2	18310-Z0S-V01	MUFFLER COMP.			001	0	0
3	18338-ZK7-V01	STAY COMP., MUFFLER			001	0	0
4	18355-ZE1-000	ARRESTER, SPARK			(1)	0	0
5	18381-Z0T-801	GASKET, MUFFLER			001	0	0
6	90055-ZE1-000	SCREW, TAPPING, 4X6			(1)	0	0
7	94001-08000-0S	NUT, HEX., 8MM			002	0	0
8	94050-06000	NUT, FLANGE, 6MM			004	0	0
9	94103-08700	WASHER, PLAIN, 8MM			002	0	0
10	95701-06016-00	BOLT, FLANGE, 6X16			002	0	0
11	95701-06025-00	BOLT, FLANGE, 6X25			001	0	0
12	95701-08020-00	BOLT, FLANGE, 8X20			002	0	0

GX120RT2

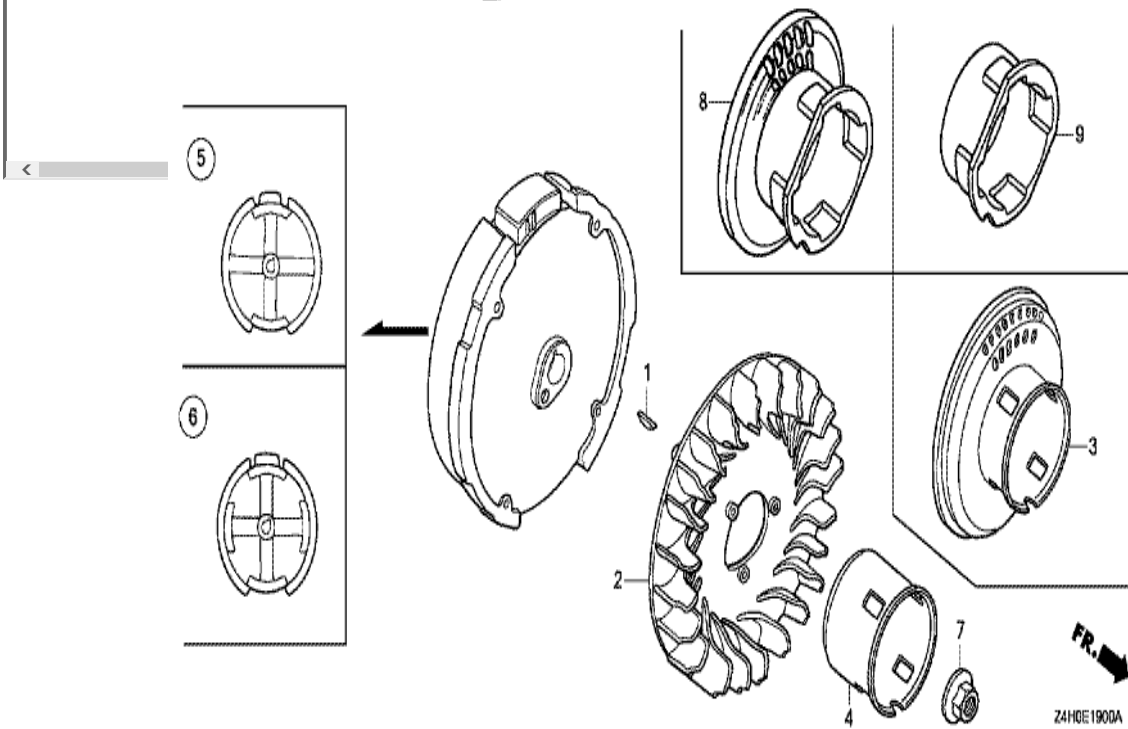
E-17 FUEL TANK (1)



Refnr	Part Number	Description	from	to	Unit Qty	Order Qty	Repair Qty
2	35376-ZV5-830	TUBE, POWER TRIM-TILT SWITCH CORD (50MM)			001	0	0
3	16910-GB2-005	STRAINER COMP., FUEL		1157096	001	0	0
3	16910-GB2-005	STRAINER COMP., FUEL	1207487		001	0	0
3	16910-Z4E-S21	STRAINER COMP., FUEL	1157097	1207486	001	0	0
18	95002-40800-08	CLAMP, TUBE (D8)			002	0	0
21	16198-ZG0-U00	TUBE A, AIR VENT			001	0	0
22	16199-ZK7-S50	TUBE			001	0	0
23	16910-ZG0-U02	STRAINER COMP., FUEL			001	0	0
24	17205-PC6-000	CLAMP, TUBE, 7.5X2			001	0	0
25	35376-ZV5-830	TUBE, POWER TRIM-TILT SWITCH CORD (50MM)			001	0	0
26	90617-SA0-003	CLIP, WIRE HARNESS			001	0	0
28	95002-02080	CLIP, TUBE (B8)			001	0	0
29	95002-02100	CLIP, TUBE (B10)			001	0	0
30	95002-50000	CLIP, TUBE (C9)			001	0	0
31	91424-Z4G-851	TUBE, FUEL, 4.5X350 (FKM)		1157132	001	0	0
31	91424-ZCG-821	TUBE, FUEL, 4.2X350 (FKM)	1157133		001	0	0
32	91424-Z4G-841	TUBE, FUEL, 4.5X75 (FKM)		1157132	001	0	0
32	91424-ZCG-811	TUBE, FUEL, 4.2X75 (FKM)	1157133		001	0	0
33	95002-40800-08	CLAMP, TUBE (D8)			001	0	0

GX120RT2

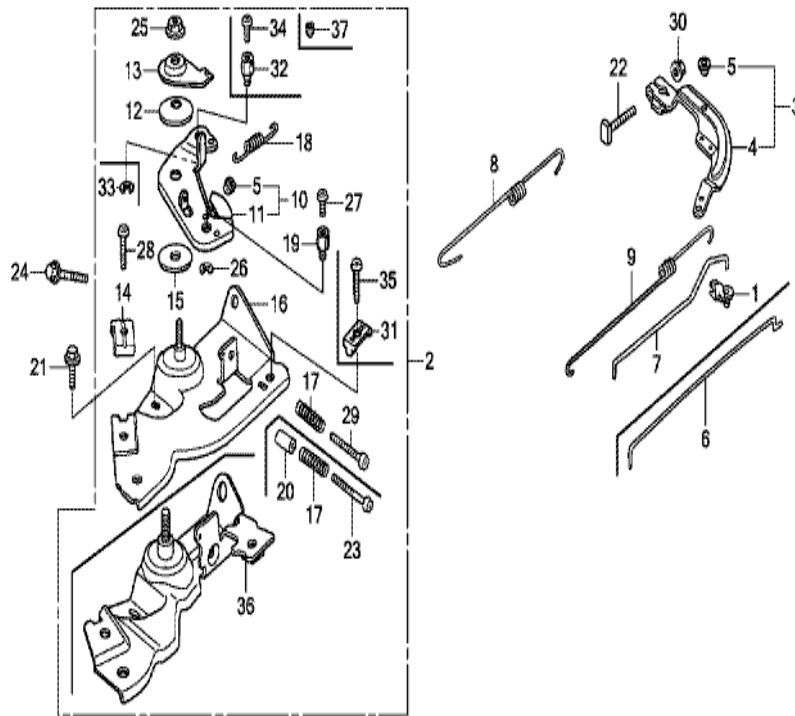
E-19 FLYWHEEL



Refnr	Part Number	Description	from	to	Unit Qty	Order Qty	Repair Qty
1	13331-Z8B-900	KEY, SPECIAL WOODRUFF, 25X18			001	0	0
2	19511-ZE0-000	FAN, COOLING			001	0	0
4	28451-ZH7-801	PULLEY, STARTER		1448117	001	0	0
5	31100-ZE0-020	FLYWHEEL COMP.			001	0	0
7	90201-Z0T-800	NUT, SPECIAL, 14MM			001	0	0
9	28451-Z4H-003	PULLEY, STARTER	1448118		001	0	0

GX120RT2

E-22-2 CONTROL (3)

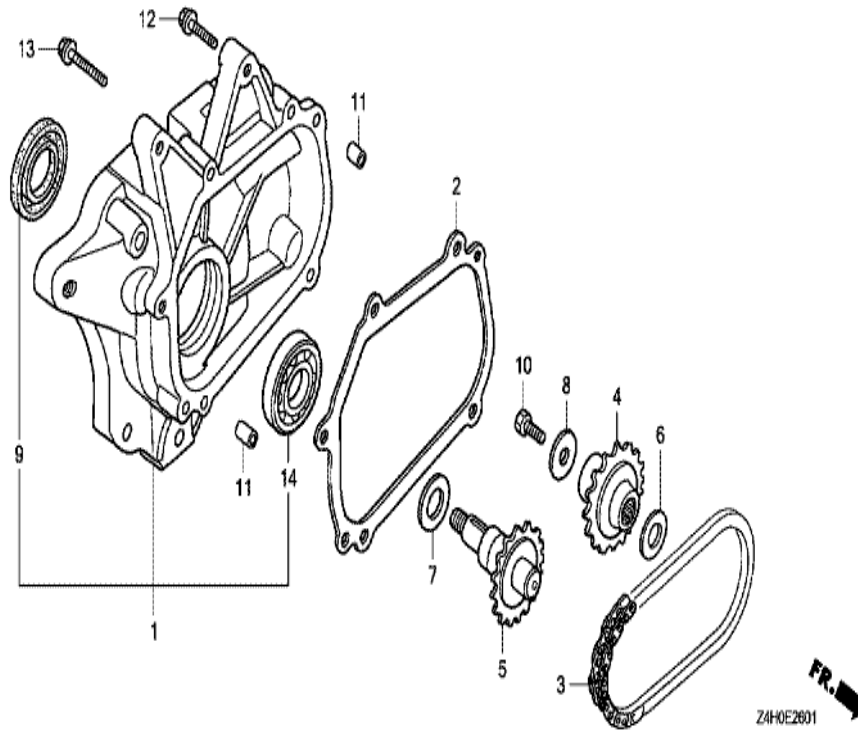


FR. →
Z4HQE2202B

Refnr	Part Number	Description	from	to	Unit Qty	Order Qty	Repair Qty
1	16263-883-W10	JOINT, ROD			001	0	0
2	16500-ZK7-S50	CONTROL ASSY.			001	0	0
3	16550-ZK7-S50	ARM COMP., GOVERNOR			001	0	0
5	16552-896-650	COLLAR, LEVER			002	0	0
7	16555-ZK7-S30	ROD, GOVERNOR			001	0	0
8	16561-ZK7-S50	SPRING, GOVERNOR			001	0	0
9	16562-ZE0-020	SPRING, THROTTLE RETURN			001	0	0
10	16570-ZK7-S50	LEVER COMP., CONTROL			001	0	0
12	16574-ZE1-000	SPRING, LEVER			001	0	0
13	16575-ZH8-000	WASHER, CONTROL LEVER			001	0	0
14	16576-891-000	HOLDER, CABLE			001	0	0
15	16578-ZE1-000	SPACER, CONTROL LEVER			001	0	0
16	16580-ZH7-810	BASE COMP., CONTROL (###)			001	0	0
17	16584-883-300	SPRING, CONTROL ADJUSTING			001	0	0
18	16592-ZE1-810	SPRING, CABLE RETURN			001	0	0
19	16594-883-010	HOLDER, WIRE			001	0	0
21	90013-883-000	BOLT, FLANGE, 6X12 (CT200)			001	0	0
22	90015-Z5T-000	BOLT, GOVERNOR ARM	1111432		001	0	0
22	90015-ZE5-010	BOLT, GOVERNOR ARM		1111431	001	0	0
24	90022-888-010	BOLT, FLANGE, 6X20 (CT200)			001	0	0
25	90114-SA0-000	NUT, SELF-LOCK, 6MM			001	0	0
26	90605-230-000	CIRCLIP, 5MM			001	0	0
27	93500-04006-0H	SCREW, PAN, 4X6			001	0	0
28	93500-05016-0A	SCREW, PAN, 5X16			001	0	0
29	93500-05025-0H	SCREW, PAN, 5X25			001	0	0
30	94050-06000	NUT, FLANGE, 6MM			001	0	0

GX120RT2

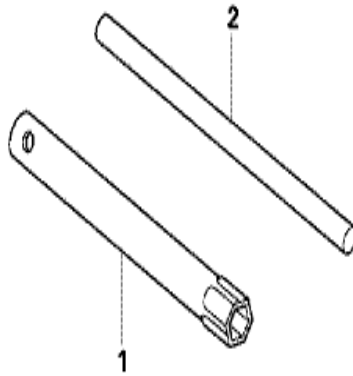
E-26-1 REDUCTION (2)



Refnr	Part Number	Description	from	to	Unit Qty	Order Qty	Repair Qty
1	11500-ZK7-V00	COVER ASSY., CHAIN CASE			001	0	0
2	11521-ZK7-V00	PACKING, CHAIN CASE COVER			001	0	0
3	14411-ZK7-V01	CHAIN, P.T.O. DRIVE			001	0	0
4	23121-ZK7-V00	SPROCKET, DRIVE (17T)			001	0	0
5	23151-ZK7-V00	SHAFT, P.T.O. (16T)			001	0	0
6	90454-428-000	WASHER, THRUST, 20MM			001	0	0
7	90456-ZE1-000	SPRING, THRUST			001	0	0
8	90471-ZE1-610	WASHER, 8MM			001	0	0
9	91252-888-003	OIL SEAL, 25X38X7 (ARAI)			001	0	0
10	92101-08025-0A	BOLT, HEX., 8X25			001	0	0
11	94303-08140	DOWEL PIN, 8X14			002	0	0
12	95701-08035-00	BOLT, FLANGE, 8X35			004	0	0
13	95701-08055-00	BOLT, FLANGE, 8X55			001	0	0
14	96100-60050-00	BEARING, RADIAL BALL, 6005			001	0	0

GX120RT2

E-29 TOOL

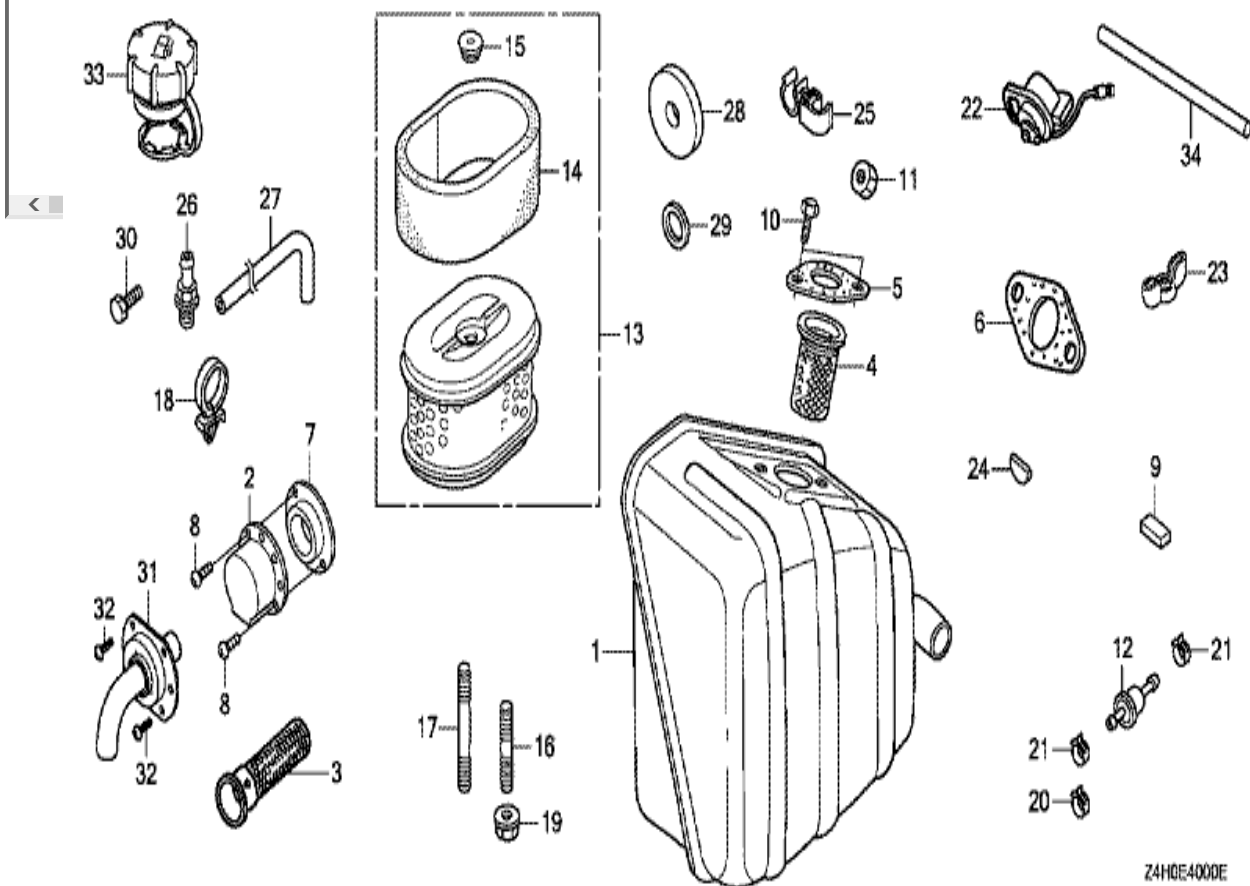


Z4H0--E2900

<u>Refnr</u>	<u>Part Number</u>	<u>Description</u>	<u>from</u>	<u>to</u>	<u>Unit Qty</u>	<u>Order Qty</u>	<u>Repair Qty</u>
1	89216-Z0T-800	WRENCH, SPARK PLUG			001	0	0

GX120RT2

E-40 OTHER PARTS (MUFFLER)



Refnr	Part Number	Description	from	to	Unit Qty	Order Qty	Repair Qty
13	17210-Z4M-821	ELEMENT, AIR CLEANER (DUAL)	1348322		001	0	0
13	17210-ZE1-822	ELEMENT, AIR CLEANER (DUAL)		1348321	001	0	0
14	17218-ZE1-821	FILTER, OUTER			001	0	0
15	17232-891-000	GROMMET, AIR CLEANER			001	0	0
16	90001-ZK7-V00	BOLT, STUD, 10X32			003	0	0
17	90002-ZK7-V00	BOLT, STUD, 10X60			001	0	0
19	94050-10000	NUT, FLANGE, 10MM			004	0	0
20	95002-40800-08	CLAMP, TUBE (D8)			001	0	0